

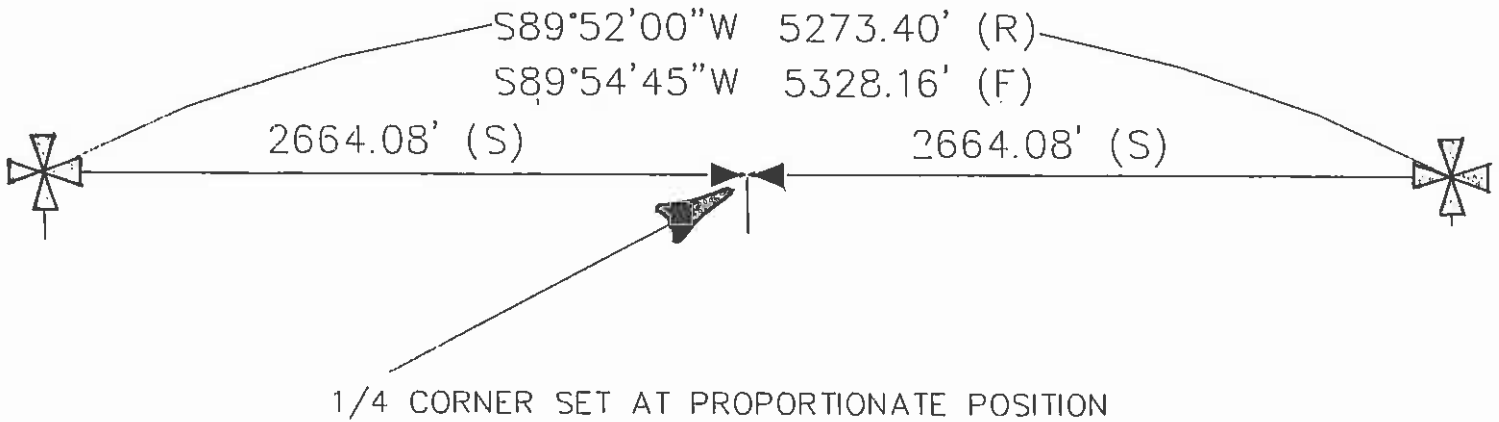
INSTRUCTIONS

1. For subsequent record used to evaluate the corner position.
2. Location of evidence found, note discrepancies in the record, state method of establishing lost or obliterated corners.
3. Description of monument and accessories set to perpetuate the corner position.
4. Sketch of corner, show all pertinent data which can best be shown in a sketch example, corner marking, topography ties, position of accessories, etc.
5. Certification must be signed and sealed by Land Surveyor registered in the State of Montana.
6. Fill in Cross Index & Section Diagram at bottom of sheet.

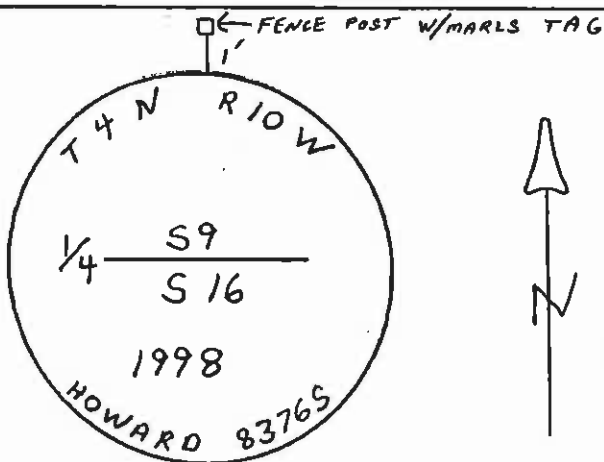
CERTIFIED CORNER RECORDATION

Corner: 1/4 Section Corner 9, 16 T. 4N R. 10W P.M.M. DEER LODGE County

ORIGINAL RECORD: (1869 G.L.O.) Set 1/4 sec. cor. a post in mound of earth with pits charred stake as per instructions.
 EVIDENCE FOUND: No evidence of the monument was found.
 PERPETUATION: Set a 5/8" X 24" rebar with 2 1/2" aluminum cap ringed with stones at the proportionate position and set a fence post with a MARLS tag on it 1' north of the corner. See corner sketch.



1/4 CORNER SET AT PROPORTIONATE POSITION



SKETCH OF CORNER

CERTIFICATION
 I, Kurt Luebke (13237LSI)
 certify the information shown herein is true and correct.

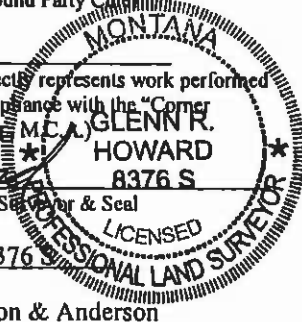
Kurt Luebke
 Signature Ground Party Chief

I, Glenn R. Howard
 certify that this Corner Record correctly represents work performed by me or under my direction in compliance with the "Corner Recordation Act" (70-22-101, et seq., M.C.A.)

Glenn R. Howard
 Signature of Surveyor & Seal

Date: 12-17-98 Reg. No. 8376 S

Employer: Druyvestein Johnson & Anderson



Office of Clerk and Recorder, County of DEER LODGE. This "corner

record" was filed for record on DECEMBER 18, 1998

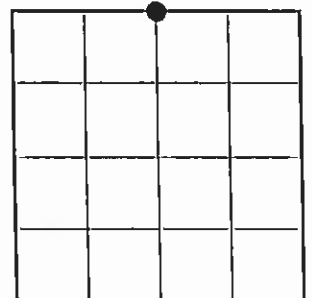
was noted on the cross index plat and is assigned page No. 516, in

book No. 2

Barbara J. Vaughn, DEPUTY
 County Official

Cross Index No. J-11 T. 4N R. 10W PMM

Sec.16



•- corner this sheet