

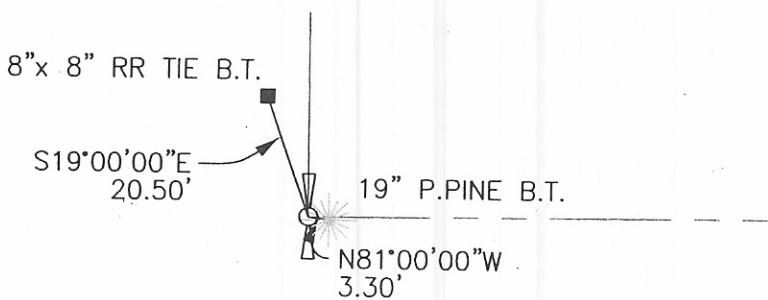
CERTIFIED CORNER RECORD

CORNER W1/4 SECTION 24 T. 17N R. 27W P.M.M. MINERAL COUNTY

RECORD: (CERTIFIED CORNER RECORD R1-7150-1)
SET 1/2" REBAR WITH YPC H.G.WARREN 2734S

FOUND: 1/2" REBAR WITH 3/4" YELLOW PLASTIC CAP, UNREADABLE

SET: ESTABLISHED BEARING TREES AS FOLLOWS:
A 19" DIA P.PINE BEARS S81°E, 3.3' MARKED BT WITH TAG ATTACHED
AN 8" X 8" RAILROAD TIE BEARS N19°W, 20.5' WITH TAG ATTACHED



I, RONALD W. DeGRAW * MONTANA
 CERTIFY THE INFORMATION SHOWN HEREIN IS TRUE AND CORRECT
Ronald W. DeGraw
 SIGNATURE GROUND PARTY, CHIEF

I, RONALD G. WARREN
 CERTIFY THAT THIS RECORD OF SURVEY CORRECTLY REPRESENTS WORK
 PERFORMED BY ME OR UNDER MY DIRECTION IN COMPLIANCE WITH THE
 "CORNER RECORDATION ACT" (70-22-301, 6, 7, 8, 9, 10, 11, 12, 13, 14, 15, 16, 17, 18, 19, 20, 21, 22, 23, 24, 25, 26, 27, 28, 29, 30, 31, 32, 33, 34, 35, 36, 37, 38, 39, 40, 41, 42, 43, 44, 45, 46, 47, 48, 49, 50, 51, 52, 53, 54, 55, 56, 57, 58, 59, 60, 61, 62, 63, 64, 65, 66, 67, 68, 69, 70, 71, 72, 73, 74, 75, 76, 77, 78, 79, 80, 81, 82, 83, 84, 85, 86, 87, 88, 89, 90, 91, 92, 93, 94, 95, 96, 97, 98, 99, 100)
Ronald G. Warren
 SIGNATURE OF SURVEYOR & SEAL

DATE: 6/21/06 Reg. No. LS 15629
 EMPLOYER: ROCKY MOUNTAIN SURVEYORS

Office of Clerk and Recorder, County of _____
This "corner record" was filed for record on _____
was noted on the cross-index plat, and is assigned
Page No. 099777, in Book No. _____

INDEXED

99777 CORNER REC Pages: 1
STATE OF MONTANA MINERAL COUNTY
RECORDED: 06/23/2006 10:53 KOI: CORNER REC
Kathy Jasper CLERK AND RECORDER
FEE: \$0.00 BY: K. Jasper
TO: FILED IN OFFICE MINERAL COUNTY COURTHOUSE, SUPERIOR, MT

County Official

SECTION 24

● Corner this sheet

Cross Index No. P2 T. 17N R. 27W P.M.M.