

INSTRUCTIONS

1. Original and/or subsequent monuments used to evaluate the corner position
2. Description of evidence found to show any discrepancies in the record, state method of establishing lost or obliterated corners
3. Description of monument and accessories set to perpetuate the corner position
4. Sketch of corner, show all pertinent data which can best be shown in a sketch example, corner marking, topography ties, position of accessories, etc.
5. Certification must be signed and sealed by Land Surveyor registered in the State of Montana
6. Fill in Cross Index & Section Diagram at bottom of sheet

61-401843

CERTIFIED CORNER RECORDATION

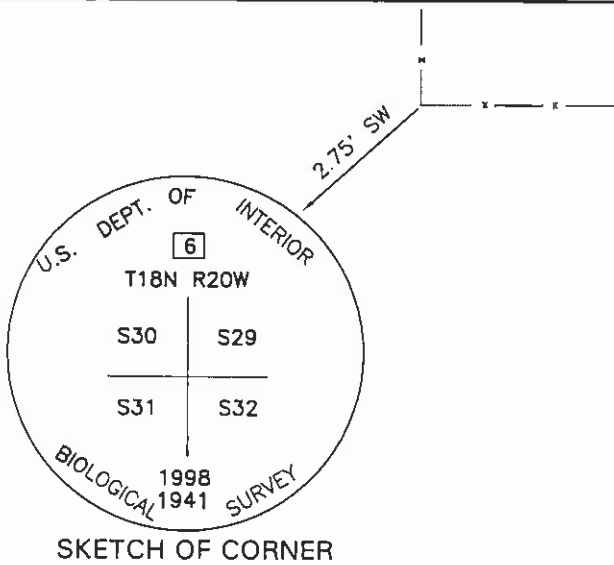
Corner: Section Corner 29, 30, 31, & 32 T. 18N R. 20W P.M.M. Lake County

ORIGINAL RECORD: (1905 G.L.O.) Set a Set a shale stone, 18x8x4 ins., 12 ins. in the ground marked with 5 notches on E. and 1 notch on S. edge; and raise a mound of stone, 2 ft. base, 1.5 ft. high, W. of corner.

SUBSEQUENT RECORD: None.

EVIDENCE FOUND: Found a 3" Brass Cap marked as shown in the sketch.

PERPETUATION: Left monument as found. No perpetuation done.



CERTIFICATION

I, Gerald McCarthy
certify that the information shown herein is true and correct.

Gerald McCarthy
Signature Ground Party Chief

I, Glenn R. Howard
certify that this Corner Record correctly represents work performed by me or under my direction in compliance with the "Corner Recordation Act" (70-22-101, et seq., M.C.A.)

Glenn R. Howard
Signature of Surveyor Seal

Date: 8-9-99 Reg. No. 8376 S

Employer: DJ&A, P.C.

Office of Clerk and Recorder, County of Lake. This "corner

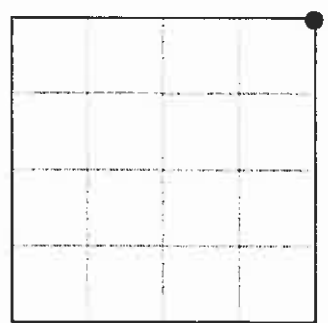
record" was filed for record on AUG 11 1999 11:19 AM

as noted on the cross index plat and is assigned page No. 401843, in

Book No. C-2269 RUTH E. HODGES *Judy King dep*
County Official

Cross Index No. V-5 T. 18N R. 20W PMM

Sec. 31



• - corner this sheet

NC