

INSTRUCTIONS

1. ... and/or subsequent record used to evaluate the corner position.
2. Description of evidence found, note discrepancies in the record, state method of establishing lost or obliterated corners.
3. Description of monument and accessories set to perpetuate the corner position.
4. Sketch of corner, show all pertinent data which can best be shown in a sketch example, corner marking, topography ties, position of accessories, etc.
5. Certification must be signed and sealed by Land Surveyor registered in the State of Montana.
6. Fill in Cross Index & Section Diagram at bottom of sheet.

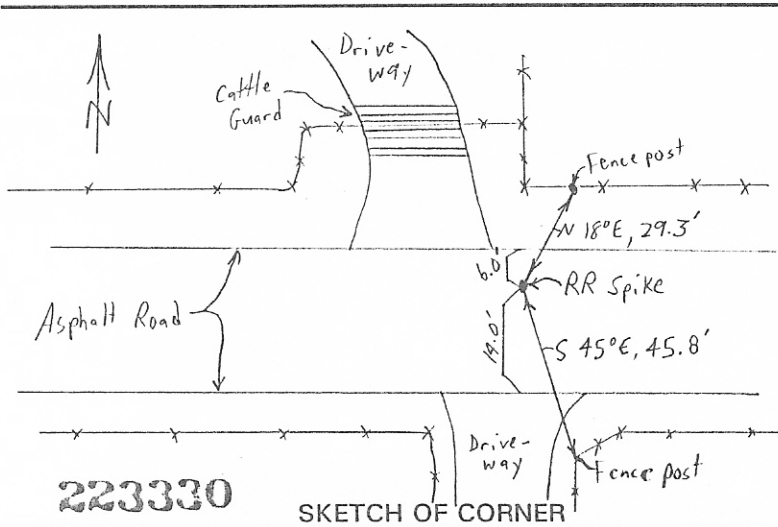
CERTIFIED CORNER RECORDATION

Corner: 1/4 Corner Sections 27 & 28 T. 20N R. 26W P.M.M. Sanders County

ORIGINAL RECORD (1886): Set a post.

EVIDENCE FOUND: Railroad spike in road. This monument was used by other surveyors and is the accepted location for this corner.

PERPETUATION: Placed MARLS tags on fence posts bearing N18°E, 29.3 feet, and bearing S45°E, 45.8 feet.



CERTIFICATION

I, Kevin Williams
 certify the information shown herein is true and correct.
Kevin Williams
 Signature Ground Party Chief

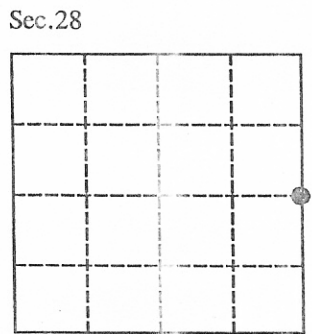
I, Glenn R. Howard
 certify that this Corner Record correctly represents work performed by me or under my direction in compliance with the "Corner Recordation Act" (70-22-101, et seq., M.C.A.)
Glenn R. Howard
 Signature of Surveyor & Seal

Date: 9-20-96 Reg. No. 8376 S

Employer: Druyvestein Johnson & Anderson

GLENN R. HOWARD
 8376 S
 REGISTERED LAND SURVEYOR

Office of Clerk and Recorder, County of Sanders. This "corner record" was filed for record on Sept. 26, 1996 at 1:55 pm was noted on the cross index plat and is assigned page No. _____, in book No. 4 357 Tillie Wellston By: Roni A. Wright
 County Official



na fee

Cross Index No. T-13 T. 20N R. 26W PMM

•- corner this sheet