

INSTRUCTIONS

1. Original and/or subsequent record used to evaluate the corner position.
2. Description of evidence found, note discrepancies in the record, state method of establishing lost or obliterated corners.
3. Description of monument and accessories set to perpetuate the corner position.
4. Sketch of corner, show all pertinent data which can best be shown in a sketch example, corner marking, topography lies, position of accessories, etc.
5. Certification must be signed and sealed by Land Surveyor registered in the State of Montana.
6. Fill in Cross Index & Section Diagram at bottom of sheet.

CERTIFIED CORNER RECORDATION

Corner S.W. Sec. Cor. Section 17 T. 23N. R. 20W. P.M.M. LAKE County

RECORD: from G.L.O. Field Book 4599, page 24, surveyed April 1905

Set a slate stone, 18"x 14"x 8", 12" in the ground,
marked with 3 notches on so. and 5 notches on east edge,
no BT's within limits.

On COS 2409 the intersection of N-S and West fence line was used, nothing was set. On Subdivision Plat #22 Balstad claims to have set this corner, nothing noted as to what was set.

FOUND: No stone found. Found a bridge spike with washer, fits ties per Subdivision Plat #22.

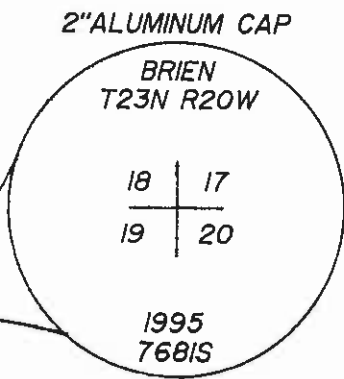
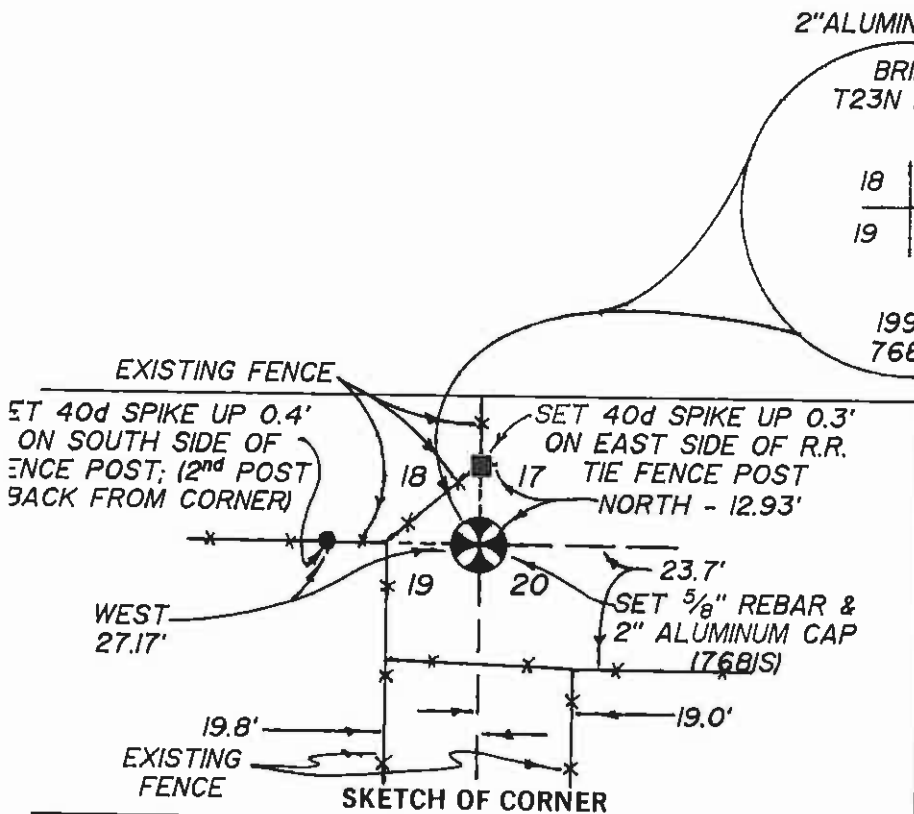
SET: Replaced the found bridge spike with a 5/8" rebar & 2" alum. cap marked as shown below, from which:

A 40d spike, up 0.3' on east side of RR tie fence post bears North 12.93'.

A 40d spike, up 0.4' on south side of a fence post bears West 27.17'.

Used a SILVA hand compass (declination 18°30'E)

REFERENCE C.O.S. 5149



MONTANA
REGISTERED LAND SURVEYOR

DANIEL P. BRIEN
7681S

1. Daniel P. Brien certify the information shown herein is true and correct.

Signature Ground Party Chief

1. Daniel P. Brien certify that this Corner Record correctly represents work performed by me or under my direction in compliance with the "Corner Recordation Act" (20-22-101 et seq. M.C.A.)

Signature of Surveyor & Seal

Date: 8/14/95 Reg. No. 7681S

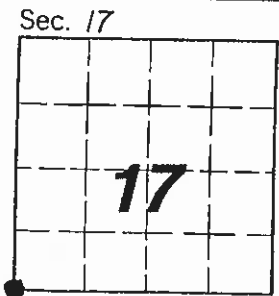
Employer: HERSMAN LAND SURVEY

Office of Clerk and Recorder, County of LAKE. This "corner record" was filed for record on FEB 28 '96 at 8:35 A.M. was noted on the cross-index plat and is assigned 372253

2066 Chycki Riebe, Deputy

RUTH E. HODGES
County Official

Index No. N-5 T. 23N. R. 20W. P.M.M.



• corner this sheet