

INSTRUCTIONS

1. Original and/or subsequent record used to evaluate the corner position
2. Description of evidence found, note discrepancies in the record, state method of establishing lost or obliterated corners.
3. Description of monument and accessories set to perpetuate the corner position.
4. Sketch of corner, show all pertinent data which can best be shown in a sketch example, corner marking, topography lies, position of accessories, etc.
5. Certification must be signed and sealed by Land Surveyor registered in the State of Montana.
6. Fill in Cross Index & Section Diagram at bottom of sheet.

CERTIFIED CORNER RECORDATION

Corner S.E. Sec. Cor. Section 17 T. 23N. R. 20W. P.M.M. LAKE County

RECORD: from G.L.O. Field Book' 4599, page 9, surveyed April 1905

Falls on a slate stone, 12"x 12"x 6" above ground, marked with 3 notches on so. and 4 notches on east edge, cut a "+" in the top of stone. No BT's within limits.

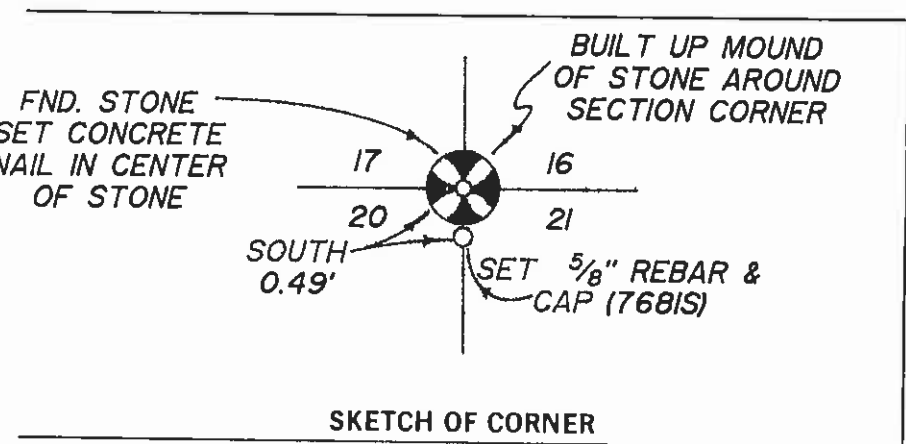
Noted as being found on numerous COS's and subdivision plats.

FOUND: Stone 12" x 20" x 6" out of ground with notches.

SET: 5/8" rebar & cap (7681S), 0.49" south of found stone, set a concrete nail in "+" in top of stone. Raised mound of stone around corner.

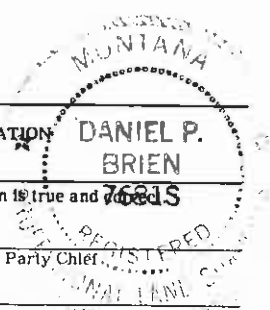
No bearing trees within limits.

REFERENCE C.O.S. 5149



SKETCH OF CORNER

CERTIFICATION **DANIEL P. BRIEN**
 1. Daniel P. Brien certify the information shown herein is true and correct
 Signature Ground Party Chief
 1. Daniel P. Brien certify that this Corner Record correctly represents work performed by me or under my direction in compliance with the "Corner Recordation Act" (70-22-101, et seq., M.C.A.)
 Signature of Surveyor & Seal
 Date: 8/14/95 Reg. No. 7681S
 Employer: HERSMAN LAND SURVEY

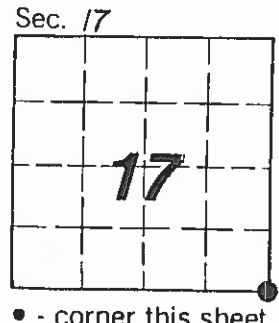


Office of Clerk and Recorder, County of LAKE. This "corner record" was filed for record on FEB 28 '96 at 8:37 A.M. was noted on the cross-index plat and is assigned 372255

RUTH E. HODGES County Official

1. Job by Vicki Kiehe, Deputy

Cross Index No. N-9 T. 23N. R. 20W. P.M.M.



• - corner this sheet