

INSTRUCTIONS

1. Original and/or subsequent record used to evaluate the corner position.
2. Description of evidence found, note discrepancies in the record, state method of establishing lost or obliterated corners.
3. Description of monument and accessories set to perpetuate the corner position.
4. Sketch of corner, show all pertinent data which can best be shown in a sketch example, corner marking, topography (lies, position of accessories, etc.
5. Certification must be signed and sealed by Land Surveyor registered in the State of Montana.
6. Fill in Cross Index & Section Diagram at bottom of sheet.

CERTIFIED CORNER RECORDATION

Corner W. 1/4 Corner Section 23 T. 25N. R. 22W. P.M.M. LAKE County

RECORD: from G.L.O. Field Book 3208, page 23, surveyed by Charles Smith in May through June 1897.

Set a slate stone, 18" x 8" x 5", 12" in the ground marked "1/4" on west face, from which:

- a 40" pine bears S82°E 60 lks. (39.60')
- a 38" pine bears S38°W 40 lks. (26.40')

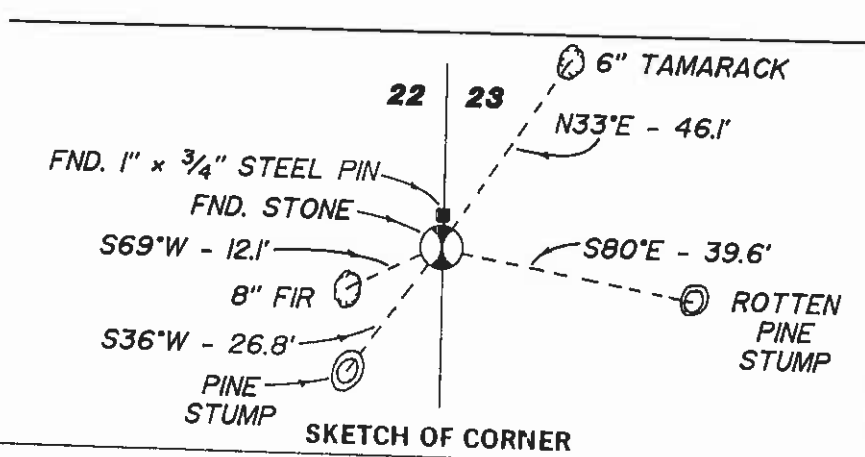
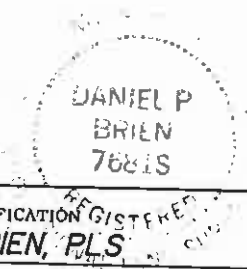
FOUND: stone 5" x 8", 6" out of the ground with "1/4" on west face and "+" in top center of stone, from which:

- a 1" x 3/4" steel pin on north side of stone
- very large rotten pine stump remains bears S80°E 39.6' to center
- a 19" pine stump (no bark remaining) 36" high with no scribing on stump, found 18" x 6" face blaze next to stump with scribing "1/4 S" visible bears S36°W 26.8'

SET: From position of found stone:

- a 6" tamarack, scribed "RM", attached MARLS B.T. tag, with chest and foot blazes painted red, bears N33°E 46.1'
- a 8" fir, scribed "RM", attached MARLS B.T. tag, with chest and foot blazes painted red, bears S69°W 12.1'

Used a SILVA hand compass (declination 18° E)



CERTIFICATION REGISTERED

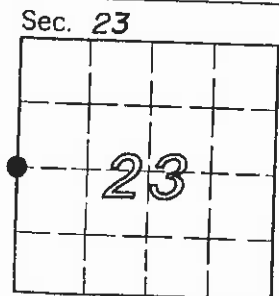
I, DANIEL P. BRIEN, PLS  
 certify the information shown herein is true and correct.

Signature Ground Party Chief  
 I, DANIEL P. BRIEN, PLS  
 certify that this Corner Record correctly represents work performed by me or under my direction in compliance with the "Corner Recordation Act" (70-22-101, et seq., M.C.A.)

Signature of Surveyor & Seal  
Daniel P. Brien  
 Date: 5/98 Reg. No. 7681S  
 Employer: HERSMAN LAND SURVEY

Office of Clerk and Recorder, County of LAKE. This "corner record" was filed for record on OCT 29 1998 9:35 A.M. was noted on the cross-index plat and is assigned page No. 394181, in book No. by Dicki Reile, Deputy

RUTH E. HODGES  
 County Official



2197

Cross Index No. P-17 T. 25N. R. 22W. P.M.M.