

INSTRUCTIONS

1. Original and/or subsequent record used to evaluate the corner position.
2. Description of evidence found, note discrepancies in the record, state method of establishing lost or obliterated corners.
3. Description of monument and accessories set to perpetuate the corner position.
4. Sketch of corner, show all pertinent data which can best be shown in a sketch example, corner marking, topography ties, position of accessories, etc.
5. Certification must be signed and sealed by Land Surveyor registered in the State of Montana.
6. Fill in Cross Index & Section Diagram at bottom of sheet.

CERTIFIED CORNER RECORDATION

Corner Sections 20, 21, 28 & 29 T. 9N R. 10W P.M.M. Powell County

ORIGINAL RECORD: (1868 G.L.O.) Set cor to sec 20, 21, 28 and 29 with a granite boulder 20x14x3 ins. with pits, marked stone as per instructions.

SUBSEQUENT RECORD: None

EVIDENCE FOUND: None

PERPETUATION: Set 2 1/2 ins. alum. cap on 3/4 x 30 in. rebar, marked as shown, by double proportionate measurement. Placed a steel fence post 2 ft. north of monument. ± 50 ft. East of N-S fence line; hung BT tags on fence posts as shown.

The corner is on a flat slope.

Date of Survey: April, 2008.

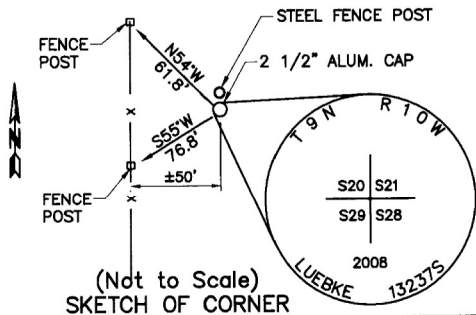
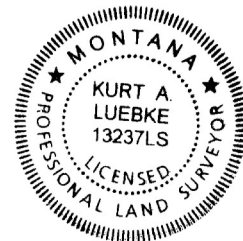
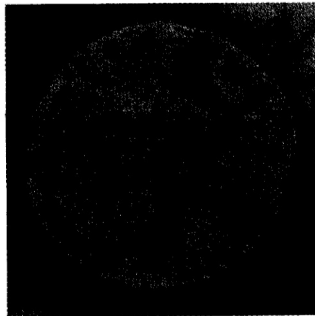
Compass Declination Used: 15°

SEE REVERSE SIDE FOR SECTIONAL DATA

NAD 83 coordinates for this corner:  
 Latitude = 46°30'44.61522"N Longitude = 112°52'15.71711"W  
 NOTE: These coordinates are to be used as a search tool only.



VIEW LOOKING NORTHWEST



(Not to Scale)  
 SKETCH OF CORNER

CERTIFICATION

I, John Shirey  
 certify the information shown herein is true and correct.  
 Signature Ground Party Chief

I, Kurt A. Luebke  
 certify that this Corner Record correctly represents work performed by me or under my direction in compliance with the "Corner Recordation Act" (70-22-001, et seq., M.C.A.)  
 Signature of Surveyor & Seal

Date: 6-20-2008 Reg. No. 13237 S

Employer: DJ&A P. C.

Office of Clerk and Recorder, County of Powell. This "corner

record" was filed **162225 Fee: \$0.00 Bk Pg**  
**POWELL COUNTY** Recorded 6/27/2008 At 11:45 AM  
 was noted on the c Diane S. Gray, Clk & Rcdr By Julia Beckel, in

book No. \_\_\_\_\_ County Official \_\_\_\_\_

Cross Index No. R-9 T. 9N R. 10W PMM

Sec. 20


● - corner this sheet

