

INSTRUCTIONS

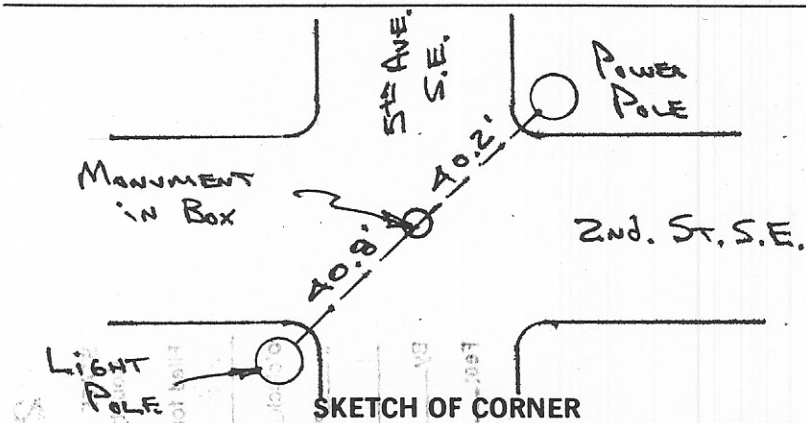
- 1. Original and/or subsequent record used to evaluate the corner position.
- 2. Description of evidence found, note discrepancies in the record, state method of establishing lost or obliterated corners.
- 3. Description of monument and accessories set to perpetuate the corner position.
- 4. Sketch of corner, show all pertinent data which can best be shown in a sketch example, corner marking, topography ties, position of accessories, etc.
- 5. Certification must be signed and sealed by Land Surveyor registered in the State of Montana.
- 6. Fill in Cross Index & Section Diagram at bottom of sheet.

CERTIFIED CORNER RECORDATION

Corner East 1/4 Corner Section 18 T. 30N R. 30E P.M.M. Phillips County

- 1. Set a granite stone 18x18x18 inches, 12 inches in the ground for 1/4 Section Corner marked 1/4 on West face: dug pits 18x18x12 inches North and South of stone 5 1/2 feet distance and raised a mound of earth 1 1/2 feet high, 3 1/2 foot base along side.
- 2. I found an iron survey monument set in monument access box in street intersection. This corner is tied to Original Townsite Plat of Malta dated 1898. It is located in center of Cosner St. and 1st Ave. on that plat.
- 3. No reason to change the location of the monument could be justified. I accepted the existing iron as the corner location.

INTERSTATE ENGINEERING, INC.
Box 648
Sidney, Montana 59270



I, _____ certify that the information herein is true and correct.

GREGORY L. JOHNSON
Professional Engineer
Signature of Land Party Chief

I, **Gregory L. Johnson** certify that this record represents work performed by me or under my direction in accordance with the "Corner Recordation Act" (M.C.A. § 7-11-101, M.C.A.)

Gregory L. Johnson
Signature of Surveyor & Seal

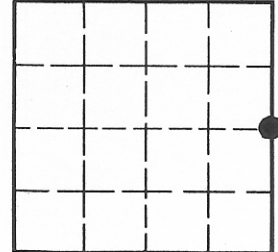
Date: June 87 Reg. No. 7324 L.S.

Employer: _____

Office of Clerk and Recorder, County of _____ . This "corner record" was filed for record on _____ was noted on the cross-index plat and is assigned page No. _____ , in book No. _____

_____ County Official

Sec. Eighteen (18)



• - corner this sheet