

INSTRUCTIONS

1. Original and/or subsequent record used to evaluate the corner position.
2. Description of evidence found, note discrepancies in the record, state method of establishing lost or obliterated corners.
3. Description of monument and accessories set to perpetuate the corner position.
4. Sketch or corner, show all pertinent data which can best be shown in a sketch example, corner marking, topography ties, position of accessories, etc.
5. Certification must be signed and sealed by Registered Land Surveyor in State of Montana.
6. Fill in Cross Index & Section Diagram at bottom of sheet.

CERTIFIED CORNER RECORDATION

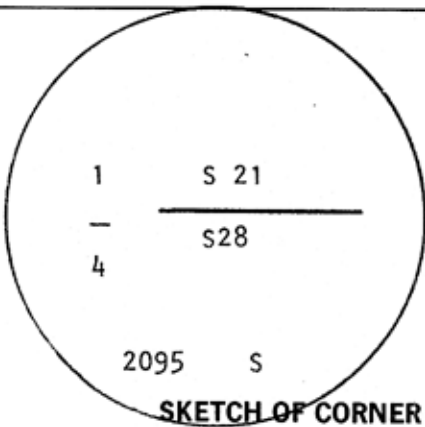
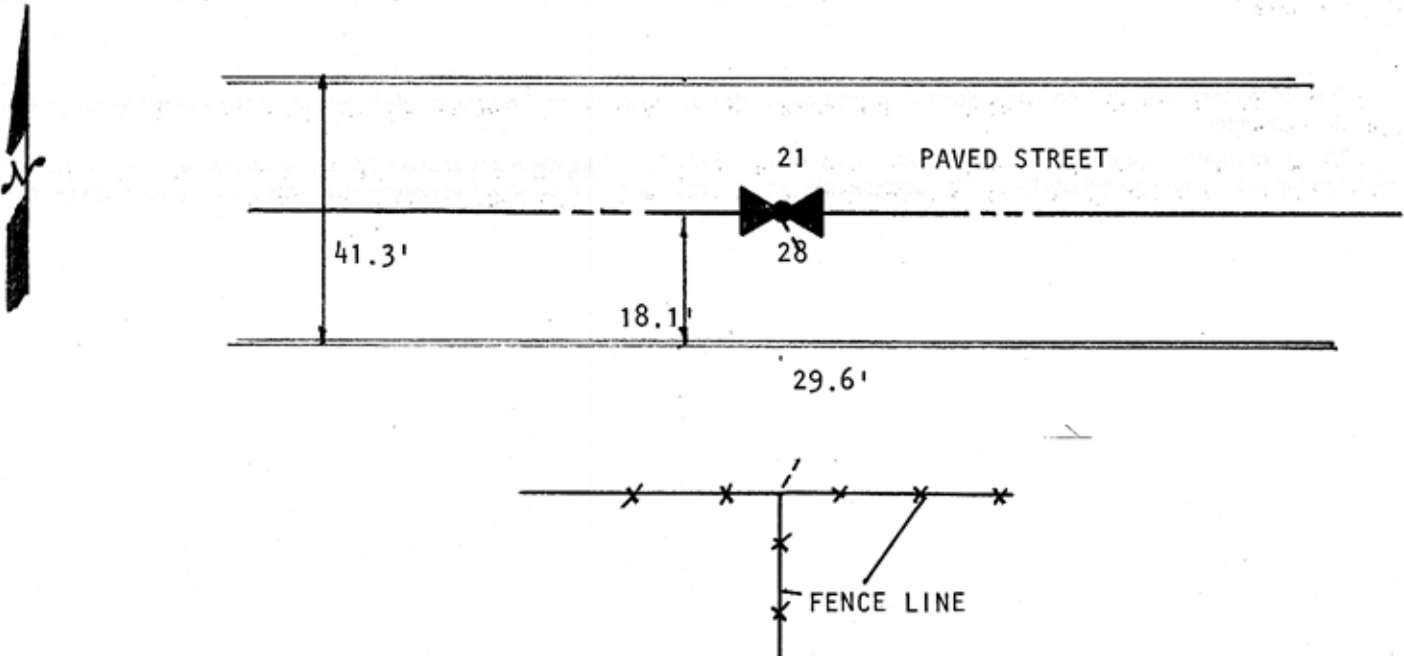
Corner NORTH 1/4 CORNER SECTION 28 T. 32N R. 6E P.M.M. LIBERTY County

AT THE 1/4 CORNER COMMON TO SECTIONS 21 AND 28, T32N, R6E, P.M.M., LIBERTY COUNTY, MONTANA, WE ESTABLISH THE ORIGINAL POSITION OF THE ORIGINAL STONE AS DESCRIBED IN THE ORIGINAL FIELD NOTES AS FOLLOWS;

40.00 CH SET A GRANITE STONE, 14x10x8 INS. 10 INS IN THE GROUND FOR 1/4 SEC. COR., MARKED 1/4 ON N FACE, DIG PITS, 18x18x12 INS E AND W OF STONE, 3 FT DIST; AND RAISE A MOUND OF EARTH 3 1/2 FT BASE 1 1/2 FT HIGH N OF COR.

THIS CORNER WAS ESTABLISHED FROM REFERENCES FO THE ORIGINAL MONUMENT PRIOR TO CONSTRUCTION OF THE PAVED STREETS.

WE SET A 5/8" REBAR WITH A 3 1/2" DOME ALUMINUM CAP AT THE LOCATION OF THE 1/4 CORNER. WE FIND ADDITIONAL INFORMATION PERTANENT TO THE LOCATION OF THIS CORNER AS SHOWN IN THE SKETCH BELOW.



CERTIFICATION

I, JOHN M. CICON
 certify the information shown herein is true and correct.
John M. Cicon
 Signature Ground Party Chief

I, M. STERLING WARDELL
 certify that this Corner Record correctly represents work performed by me or under by direction in compliance with the "Corner Recordation Act" (70-22-101, et seq., M.D.A.)
M. Sterling Wardell
 Signature of Surveyor & Seal

Date: 7-25-85 Reg. No. 2095 S
 Employer: Self

Office of Clerk and Recorder, County of Liberty. This "corner record" was filed for record on the July 29 day of 1985 was noted on the cross-index plat and is assigned page No. _____, in book No. _____
Maureen Cicon
 County Official

